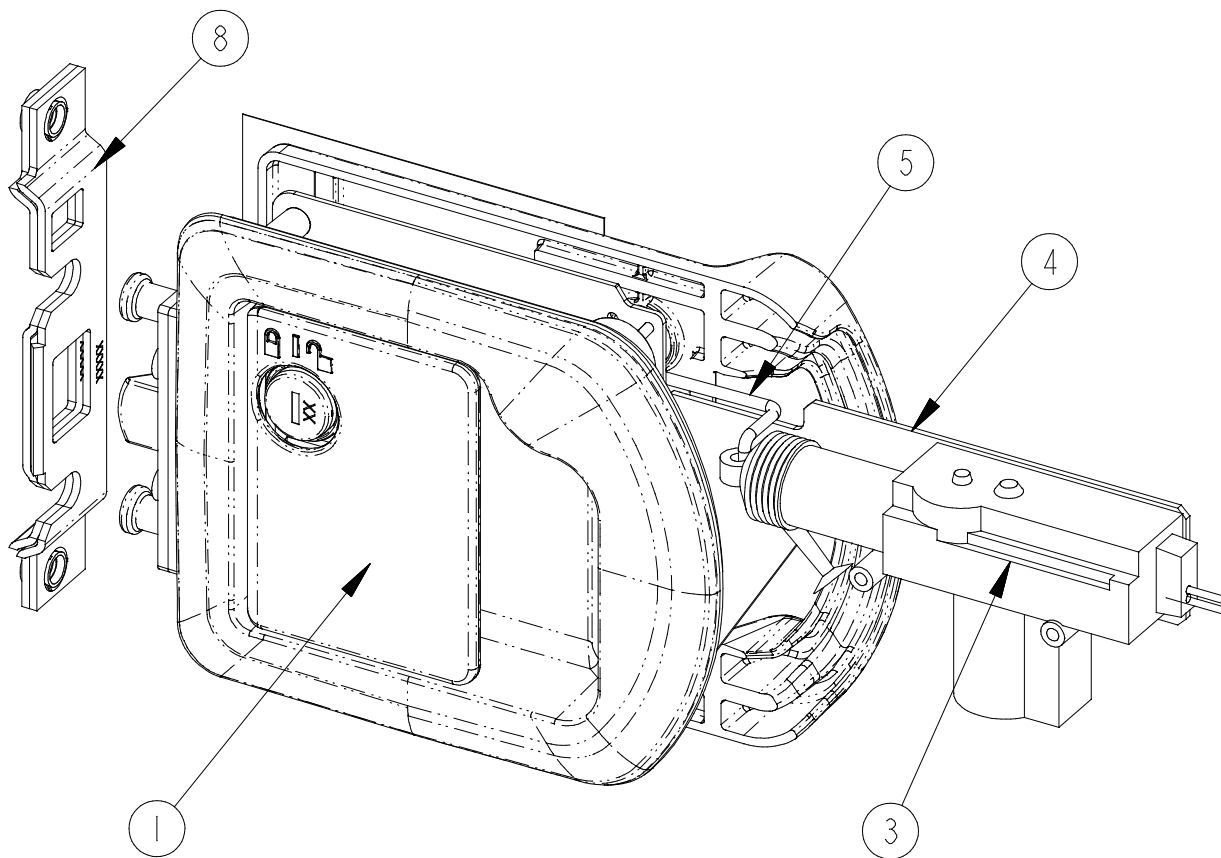


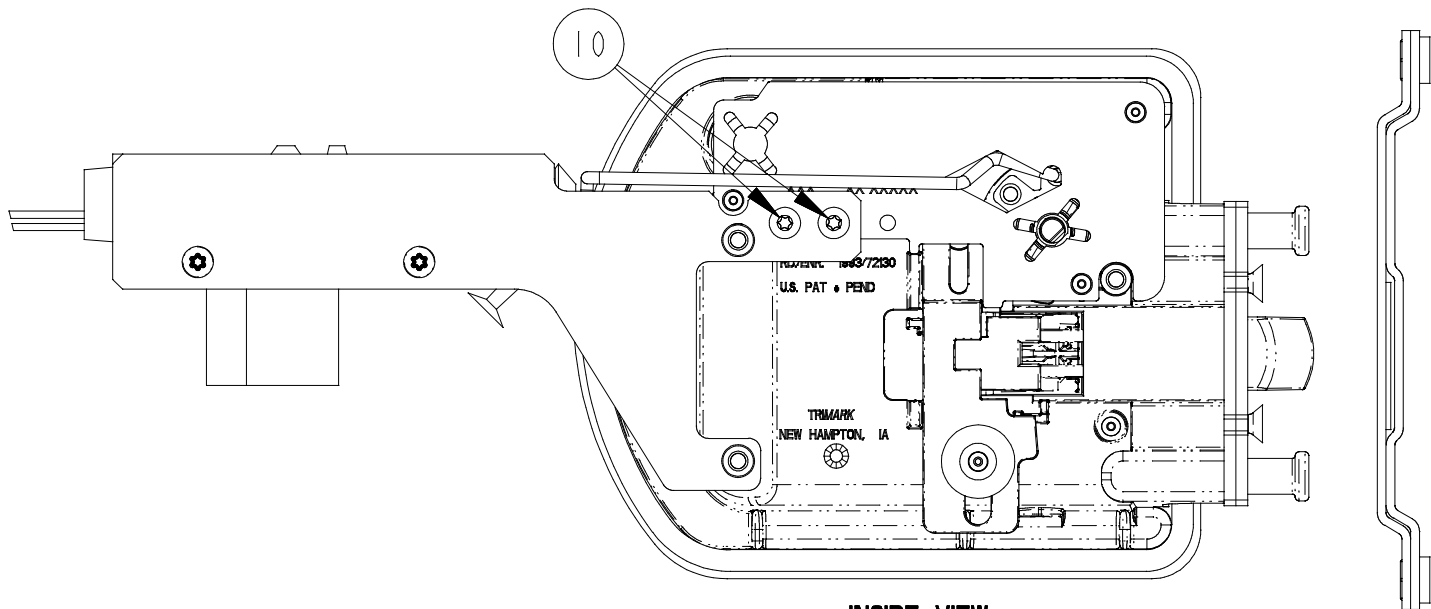
2	10	15554-01	POWER BRACKET MOUNT FASTENERS	2
	9	19935-02	POWER ACTUATOR MOUNT FASTENERS	2
	8	12156-15	STRIKE ASSEMBLY	1
	7	22030-01	DOOR EDGE MOUNT FASTENERS	2
	6	22029-01	INSIDE/OUTSIDE MOUNT FASTENERS	3
	5	34218-01	POWER LOCK ROD	1
	4	34217-01	POWER ACTUATOR MOUNT BRACKET	1
1	3	19062-XX	POWER ACTUATOR	1
	2	31075-02	INSIDE ASSEMBLY	1
	1	29411-01	OUTSIDE ASSEMBLY	1
NON-DEADBOLT POWER (NO DEADBOLT)				



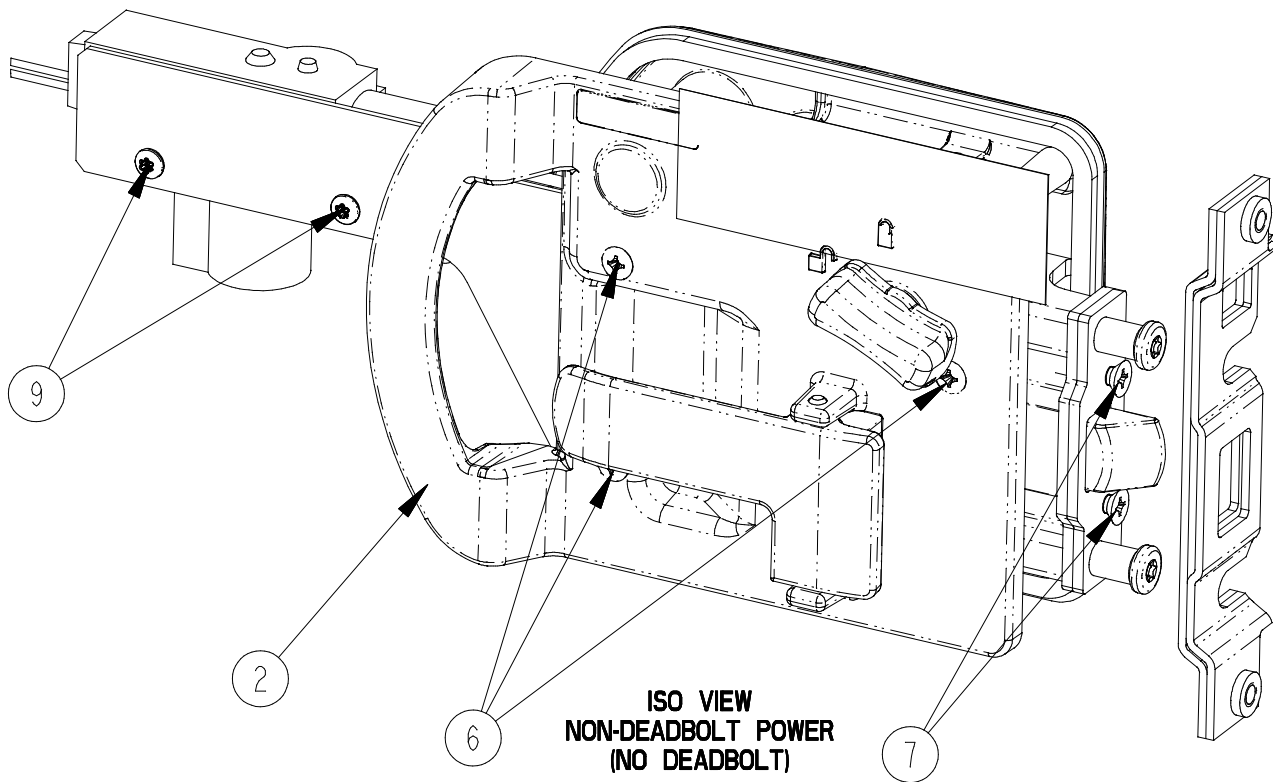
ISO VIEW
NON-DEADBOLT POWER
(NO DEADBOLT)

DRAWN BY		
CHK'D BY		
RLSE DATE		

TYPICAL APPLICATION	
SCALE	DESCRIPTION
0.5	060-1650, 060-1625, TYPICAL APPLICATIONS
SIZE	
A	
REVISION	PART NUMBER
	TY060-1650A



INSIDE VIEW
NON-DEADBOLT POWER (NO DEADBOLT)
(INSIDE HANDLE NOT SHOWN FOR CLARITY)



ISO VIEW
NON-DEADBOLT POWER
(NO DEADBOLT)

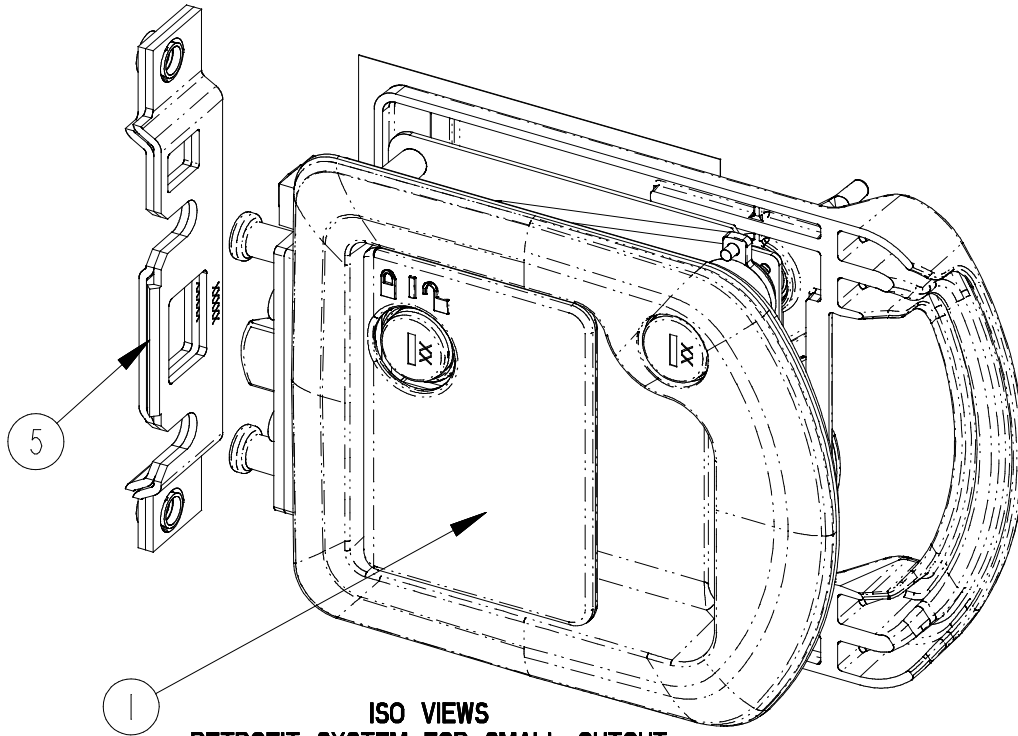
DRAWN BY		
CHK'D BY		
RLSE DATE		

REFER TO SHEET 8 FOR INSTALLATION INSTRUCTIONS FOR
POWER LOCK ROD, ACTUATOR, AND BRACKET

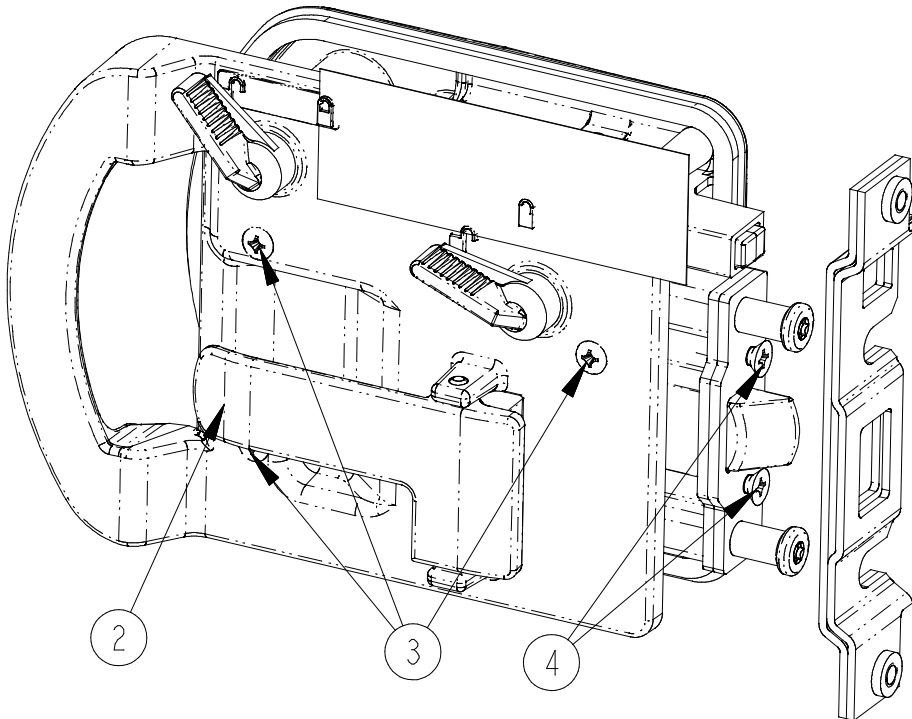
TYPICAL APPLICATION

SCALE	DESCRIPTION
0.5	060-1650, 060-1625, TYPICAL APPLICATIONS
SIZE	
A	REVISION PART NUMBER
	TY060-1650A

2	5	12156-15	STRIKE ASSEMBLY	1
	4	22030-01	DOOR EDGE MOUNT FASTENERS	2
	3	22029-01	INSIDE/OUTSIDE MOUNT FASTENERS	3
1	2	31075-05	INSIDE ASSEMBLY	1
	1	29412-01 & -13	OUTSIDE ASSEMBLY	1
RETROFIT SYSTEM FOR SMALL CUTOUT (NO POWER)				



ISO VIEWS
RETROFIT SYSTEM FOR SMALL CUTOUT
(NO POWER)



DRAWN BY		
CHK'D BY		
RLSE DATE		

TYPICAL APPLICATION

SCALE	DESCRIPTION
0.5	060-1650, 060-1625, TYPICAL APPLICATIONS
SIZE	
A	
REVISION	PART NUMBER
	TY060-1650A